



RISE Research Institutes
of Sweden AB
RISE Certifiering
Box 553
SE-371 23 Karlskrona
Sweden

Tel: +46 10 516 63 00
Web: www.ri.se/eta
Mail: certifiering@ri.se



Member of



www.eota.eu

European Technical Assessment

ETA 15/0029
of 27/09/2019

General Part

Technical Assessment Body issuing the ETA: RISE Research Institutes of Sweden AB

Trade name of the construction product

SS-pile and SSdr-pile

Product family to which the construction product belongs

Structural steel piles with hollow sections and rigid splices

Manufacturer

UAB Scandia Steel Baltic
Vytauto 151
97133 Kretinga, Lithuania

Manufacturing plant(s)

UAB Scandia Steel Baltic
Vytauto 151
97133 Kretinga, Lithuania

This European Technical Assessment contains

13 pages including 9 Annexes which form an integral part of this assessment.

This European Technical Assessment is issued in accordance with regulation (EU) No 305/2011, on the basis of

European Assessment Document
200005-00-0103, edition December 2014.

This version replaces

ETA 15/0029, issued on 14/08/2019.

Translations of this European Technical Assessment in other languages shall fully correspond to the original issued document and should be identified as such.

Communication of this European Technical Assessment, including transmission by electronic means, shall be in full. However, partial reproduction may be made with the written consent of the issuing Technical Assessment Body. Any partial reproduction has to be identified as such.

Specific parts

1 Technical description of the product

SS-piles and SSdr-piles consist of a hollow section structural steel pipe, which is mechanically jointed with an external friction splice or a threaded splice. The piles may include a bearing plate (top plate), a rock shoe (pile tip) or other additional accessories.

SS-piles are mechanically jointed with an external friction splice sleeve and SSdr-piles are mechanically jointed with a threaded splice sleeve.

External splice is outside of pile pipe locating pile joint where connection is based on friction. Steel grades used in external splice are either according to the standard EN 10219 or alternatively steels S440J2H, S440MH, S550J2H or S550MH.

Threaded splice is pile joint with or without sleeve where connection is based on threads. Steel grades used in threaded sleeve splice are according to the standards EN 10219, EN 10294-1, EN 10297-1 or alternatively steels S440J2H, S440MH, S550J2H or S550MH. The piles may be equipped with a pressure-distributing bearing plate (top plate) consisting of a steel plate and a plate concentrator.

SS-piles may be equipped with pile tip 1, which is mechanically fastened to the lower end of the pile with friction and conical contact surface. The pile tip is equipped with a dowel made of hardened steel. SS-piles may be also equipped with pile tip 2 which is fastened by welding to the lower end of the pile (annex A1 and A3).

The steel pipe is made of steel grade S460MH according to EN 10219. The top plate and the sleeve of the pile tip are supplied in steel grade S355J2H according to EN 10025. The pile dowel is made of steel grade 51CrV4 with hardness HV 530-590 alternatively of steel grade S27MnCrB5 with hardness HV 530-560.

Diameters of the piles are from 76.1 mm to 406.4 mm and wall thicknesses from 6.3 mm to 12.5 mm.

SS-piles are installed by driving (impact driving, jacking, vibrating, screwing) and SSdr-piles by drilling.

Product description including dimensions and tolerances of piles and pile components are presented in Annex A1-A6.

2 Specification of the intended use(s) in accordance with the applicable European Assessment Document (hereinafter EAD)

SS-piles and SSdr-piles are used as the foundation piles in all kind of structures where pile foundations are needed e.g. buildings, bridges, harbours or other traffic structures. The piles are designed generally as end bearing piles but designing as shaft bearing piles is also

possible. The piles are designed for loading by axial forces or horizontal forces or combined loads.

The performances given in clause 3 are only valid if the piles are used in compliance with the specifications and conditions given in Annex B.

The provisions made in this European Technical Assessment are based on an assumed intended working life of 100 years depending of chosen material thickness and environmental conditions which are defined in Eurocode EN 1993-5 paragraph 4.4. The indications given on the working life cannot be interpreted as a guarantee given by the producer but are to be regarded only as a means for choosing the right products in relation to the expected economically reasonable working life of the works.

3 Performance of the product and references to the methods used for its assessment

3.1 Essential characteristics and their performance

		Characteristic	Performance
BWR 1	Mechanical resistance and stability	Bending resistance and bending stiffness	Bending stiffness of pile with mechanical pile joint: $E \cdot I_{\text{spliced}} \geq 0,75 \cdot E \cdot I_{\text{unspliced}}$ (in moment range $0,3 \cdot M_{el} - 0,8 \cdot M_{el}$) Bending resistance of the pile with mechanical pile joint: $M_{\text{spliced}} \geq M_{\text{unspliced}}$
		Tension resistance	Tension resistance of the pile with mechanical pile joint: $N_{\text{spliced}} \geq 0,15 \cdot N_{\text{unspliced}}$
		Compression resistance	Compression resistance of the pile with mechanical pile joint: $F_{\text{spliced}} \geq F_{\text{unspliced}}$ See Annex C
		Robustness of pile joints	Driven pile: Impact test with stress level of $0,5 \cdot f_y$ Drilled pile: Mechanical joint tightening test with moment M $1500 \text{ Nm} \leq M \leq 7000 \text{ Nm}$ for piles $88,9 \text{ mm} \leq \varnothing \leq 406,4 \text{ mm}$
		Material properties and dimensional tolerances	See Annex D
		Resistance to corrosion	The reduced load bearing capacities of pile pipes in consideration of thickness losses due to corrosion set in EN 1993-5 shall be calculated according to valid EN standards or national regulations.
BWR 2	Safety in case of fire	Reaction to fire	Class A1, according to EN 13501-1

4 Assessment and verification of constancy of performance (hereinafter AVCP) system applied, with reference to its legal base

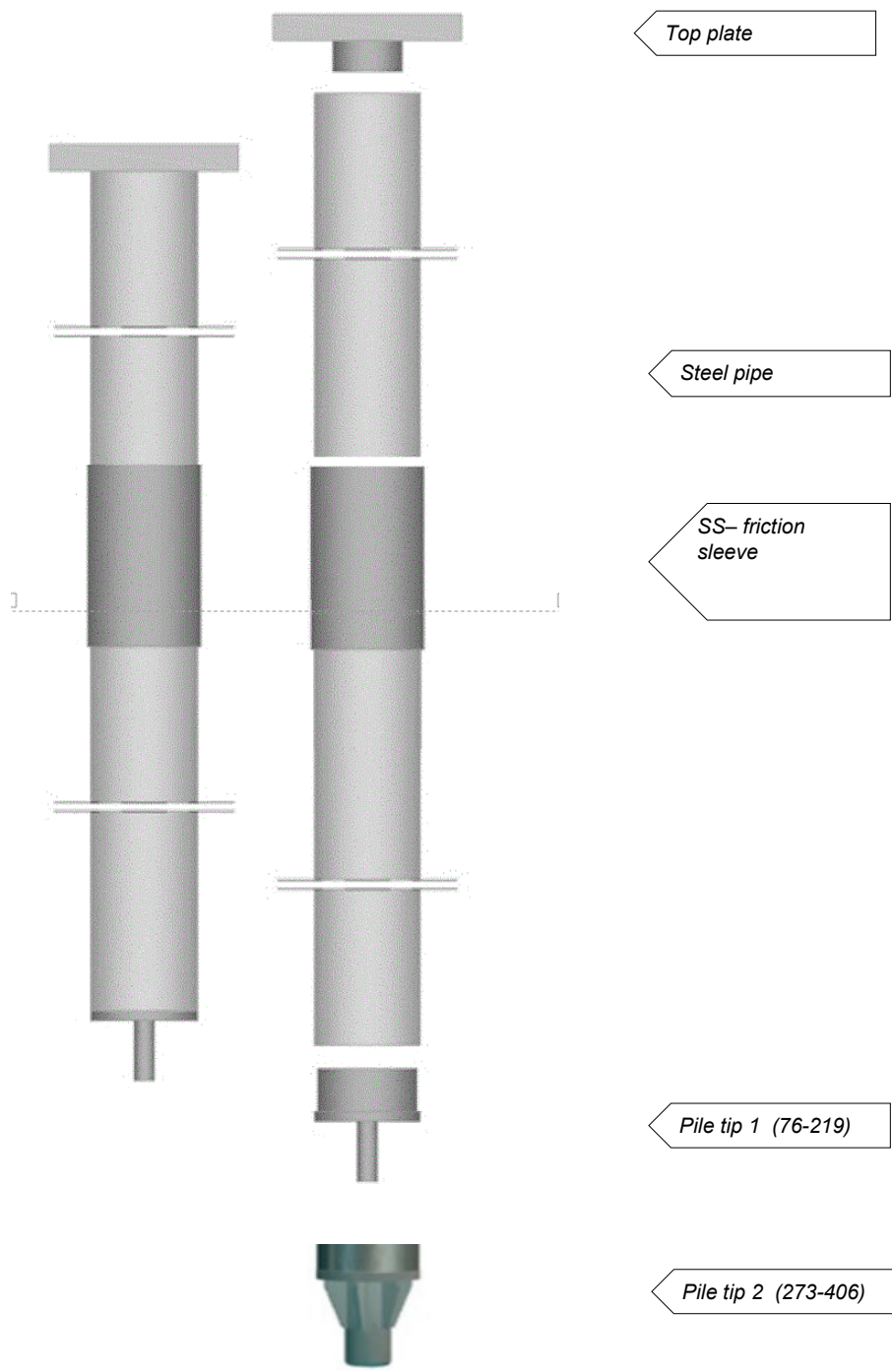
According to the decision 2003/655/EC - Commission decision of date 12 September 2003, published in the Official Journal of the European Union (OJEU) L231/12 of 17/09/2003, of the European Commission the system of assessment and verification of constancy of performance (see Annex V to the regulation (EU) No 305/2011) given in the following table apply:

Product(s)	Intended use(s)	Level(s) or class(es)	System(s)
Structural steel piles with hollow sections and rigid splices	Foundation piles for structural use	-	2+

5 Technical details necessary for the implementation of the AVCP system, as provided for in the applicable EAD

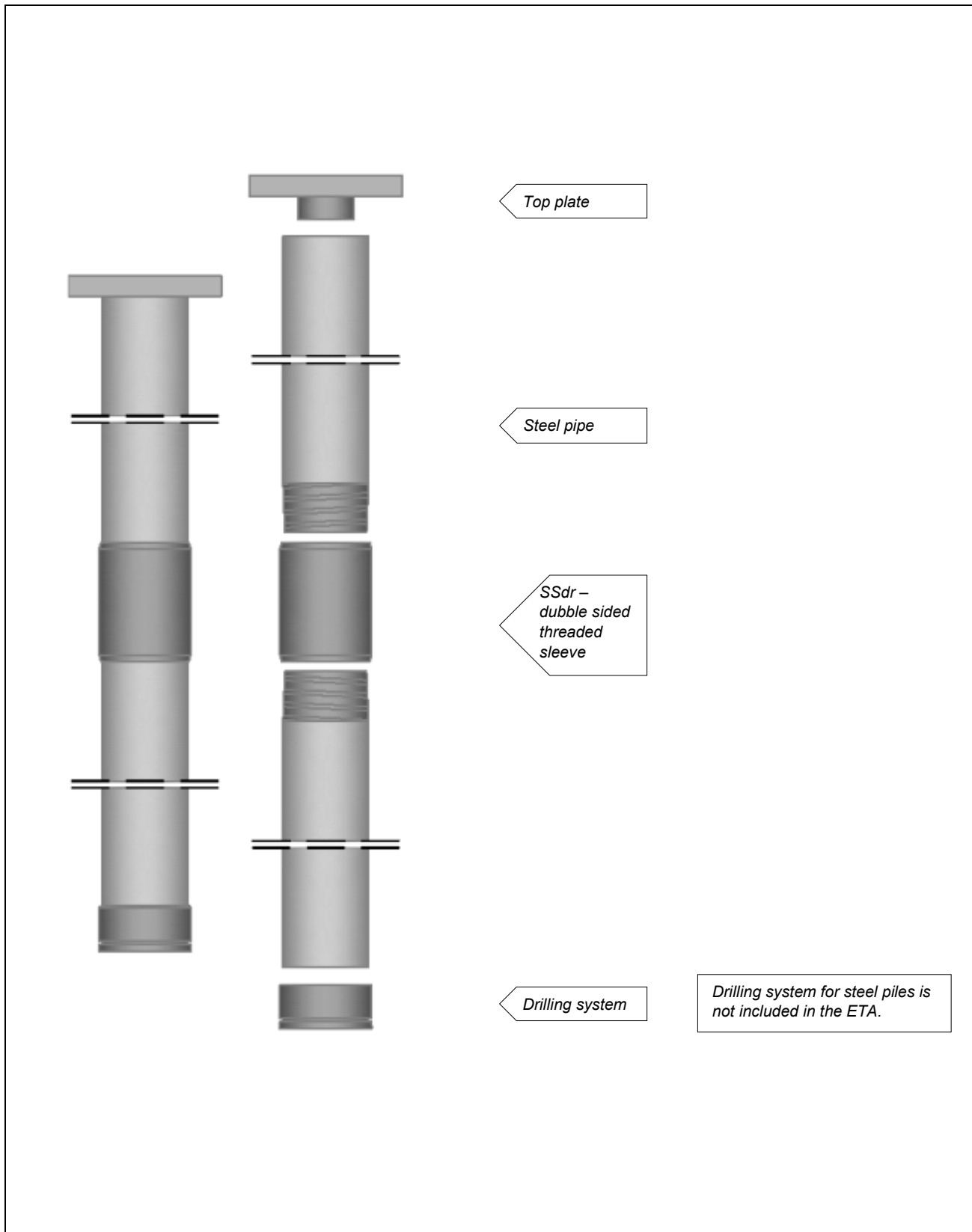
Issued in Borås on 27.09.2019
By RISE Research Institutes of Sweden AB

Johan Åkesson
Certification Manager



Product description
 Concept drawing of the SS-pile

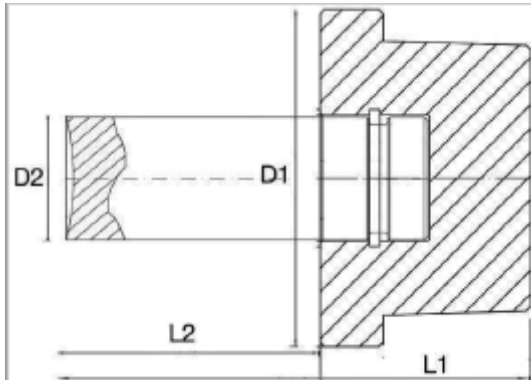
Annex A1
of European
Technical
Assessment
ETA 15/0029



Product description
 Concept drawing of the SSdr pile.

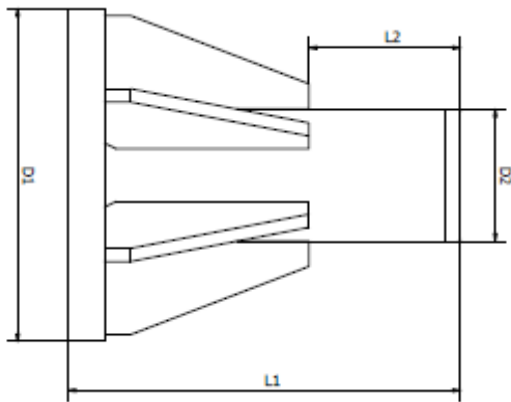
Annex A2
of European
Technical
Assessment
ETA 15/0029

Pile tip 1 (fastened by friction)



Pile tip 1, dimensions mm				
Pile pipe (diameter x thickness t1 / t2)	D1	D2	L1	L2
76,1 x 6,3	80,0	30	104	54
88,9 x 6,3	90,0	30	104	54
114,3 x 6,3	115,0	40	140	70
114,3 x 8,0	115,0	40	140	70
139,7 x 8,0	140,0	60	205	105
139,7 x 10,0	140,0	60	205	105
168,3 x 10,0	170,0	60	219,5	104,5
168,3 x 12,5	170,0	60	219,5	104,5
219,1 x 10,0	220,0	79,5	272,5	122,5
219,1 x 12,5	220,0	79,5	272,5	122,5

Pile tip 2 (fastened by welding)

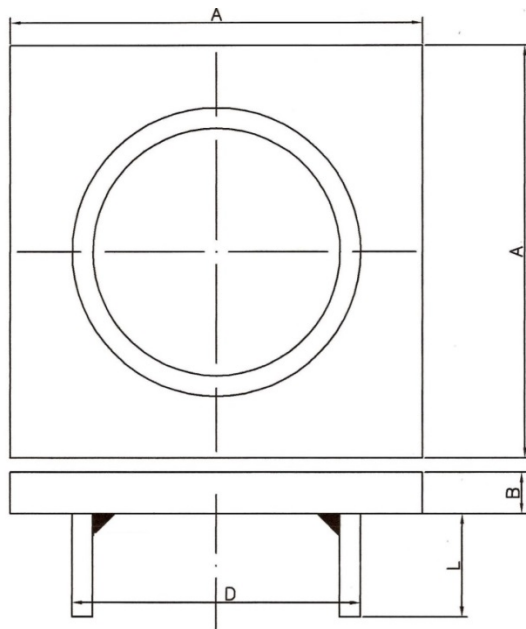


Pile tip 2, dimensions mm				
Pile pipe (diameter x thickness t1 / t2)	D1	D2	L1	L2
273,0 x 10,0	278,0	120	320	135
273,0 x 12,5	278,0	120	320	135
323,9 x 10,0	328,0	130	375	145
323,9 x 12,5	328,0	130	375	145
406,4 x 12,5	410,0	140	470	155

Product description
The main dimensions of the pile tips

Annex A3
of European
Technical
Assessment
ETA 15/0029

Top plate

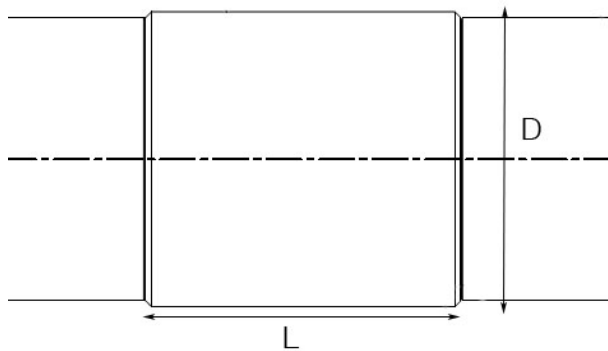


Top plate, dimensions (mm)			
Pile pipe (diameter x thickness)	D	AxAxB	L
76,1 x 6,3	60,3	150x150x15	50 (±1)
88,9 x 6,3	60,3	150x150x15	50 (±1)
114,3 x 6,3	88,9	200x200x20	50 (±1)
114,3 x 8,0	88,9	200x200x20	50 (±1)
139,7 x 8,0	88,9	250x250x25	50 (±1)
139,7 x 10,0	88,9	250x250x25	50 (±1)
168,3 x 10,0	114,3-139,7	300x300x30	70 (±1)
168,3 x 12,5	114,3-139,7	300x300x30	70 (±1)
219,1 x 10,0	114,3-139,7	300x300x30	70 (±1)
219,1 x 12,5	114,3-139,7	300x300x30	70 (±1)
273,0 x 10,0	139,7-219,1	350x350x30	70 (±1)
273,0 x 12,5	139,7-219,1	350x350x30	70 (±1)
323,9 x 10,0	168,3-273,0	400x400x30	70 (±1)
323,9 x 12,5	168,3-273,0	400x400x30	70 (±1)
406,4 x 12,5	168,3-323,9	500x500x40	70 (±1)

Product description
The main dimensions of top plate.

Annex A4
of European
Technical
Assessment
ETA 15/0029

SSdr threaded splice

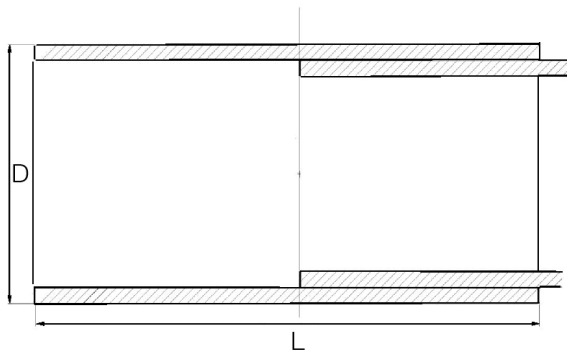


SSdr threaded splice sleeve		
Pile SSdr ($d_{pile} \times t_{pile}$) mm	D (mm)	L (mm)
88,9 x 6,3	101,6	160
114,3 x 6,3	127,0	170
114,3 x 8,0	127,0	170
139,7 x 8,0	152,4	234
139,7 x 10,0	152,4	234
168,3 x 10,0	182,0	289
168,3 x 12,5	182,0	289
219,1 x 10,0	235,0	230
219,1 x 12,5	235,0	230
273,0 x 10,0	292,0	325
273,0 x 12,5	292,0	325
323,9 x 10,0	343,0	320
323,9 x 12,5	343,0	320
406,4 x 12,5	431,8	370

Product description
The main dimensions of splice sleeves.

Annex A5
of European
Technical
Assessment
ETA 15/0029

SS friction splice



SS friction splice sleeve		
Pile SS / $d_{pile} \times t_{pile}$ (mm)	D (mm)	L (mm)
76,1 x 6,3	88,9	210
88,9 x 6,3	101,6	250
114,3 x 6,3	127,0	280
114,3 x 8,0	127,0	280
139,7 x 8,0	159,0	310
139,7 x 10,0	159,0	310
168,3 x 10,0	191,0	410
168,3 x 12,5	191,0	410
219,1 x 10,0	244,5	550
219,1 x 12,5	244,5	550
273 x 10	298,5	480
273 x 12,5	298,5	480
323,9 x 10	355,4	560
323,9 x 12,5	355,4	560
406,4 x 12,5	445,0	750

Product description
The main dimensions of splice sleeves.

Annex A6
of European
Technical
Assessment
ETA 15/0029

Installation

The installation and execution of piles shall be in accordance with EN 1993-5 (chapter 8), EN 14199, EN 1536 and EN 12699 as far as national regulations admit it.

Installation procedures (execution) of the completed piles, shaft grouted piles, grouting materials or welding done at building site are not covered by this ETA.

Design of the product

Steel pipe piles shall be dimensioned in accordance with valid EN standards and/or national regulations. Characteristics mentioned in clause 3.1 shall be taken into account when necessary.

Mechanically spliced SS-piles and SSdr-piles fulfil the requirements for mechanical resistance and stability according to clause 3.1. Compression strength of mechanically spliced SS-piles and SSdr-piles equals maximum compression resistance of piles presented in Annex C. Tension resistance of mechanically spliced SS-piles and SSdr-piles is at least 15 % of the tension resistance of piles presented in Annex C.

The designing of pile tips, bearing plates and other accessories shall be carried out taking into account the characteristics of connected structures, EN standards and/or national regulations.

The designing of completed piles is not covered by this ETA.

General assumptions
Installation and design

Annex B
of European
Technical
Assessment
ETA 15/0029

Pile types, dimensions and characteristic values of maximum compression resistances.

Pile	Diameter	Characteristic values of maximum compression resistances (kN)				
		Designation	[mm]	t _{pile} = 6,3 mm	t _{pile} = 8 mm	t _{pile} = 10 mm
SS 76,1	76,1	S460: 635 kN				
SS 88,9	88,9	S460: 752 kN				
SS 114,3	114,3	S460: 983 kN	S460: 1229 kN			
SS 139,7	139,7		S460: 1523 kN	S460: 2149 kN		
SS 168,3	168,3			S460: 2288 kN	S460: 2814 kN	
SS 219,1	219,1			S460: 3022 kN	S460: 3732 kN	
SS 273	273,0			S460: 3801 kN	S460: 4706 kN	
SS 323,9	323,9			S460: 4536 kN	S460: 5625 kN	
SS 406,4	406,4				S460: 7115 kN	
SSdr 88,9	88,9	S460: 752 kN				
SSdr 114,3	114,3	S460: 983 kN	S460: 1229 kN			
SSdr 139,7	139,7		S460: 1523 kN	S460: 1874 kN		
SSdr 168,3	168,3			S460: 2288 kN	S460: 2814 kN	
SSdr 219,1	219,1			S460: 3022 kN	S460: 3732 kN	
SSdr 273,0	273,0			S460: 3801 kN	S460: 4706 kN	
SSdr 323,9	323,9			S460: 4536 kN	S460: 5625 kN	
SSdr 406,4	406,4				S460: 7115 kN	
	Steel grade S460MH					

Characteristic compression resistance
SS-piles and SSdr-piles

Annex C
of European
Technical
Assessment
ETA 15/0029

Tolerances on shape and mass, pile pipes

Characteristic	Circular hollow section
Outside diameter (D)*	D ≤ 350 mm, ± 0,5 % D > 350 mm, ± 1 %
Thickness (T)	For D ≤ 406,4 mm: T ≤ 5 mm, ± 10 % T > 5 mm, ± 0,5 mm For D > 406,4 mm: ± 10 % with maximum of ± 2mm
Out-of-roundness (O)	D ≤ 150 mm, ± 1,2 % 150 mm < D ≤ 350 mm, ± 1 % D > 350 mm, ± 2 %
Straightness (e)	0,20 % of total length
Mass per unit length (M)	± 6 % on individual delivered lengths
*The diameter (D) shall be measured by circumference tape at the discretion of the manufacturer.	

Tolerances on shape and mass, sleeve pipes (friction splice)

Characteristic	Circular hollow section
Inside diameter (D)*	D ≤ 150 mm, ± 0,5 % D > 150 mm, ± 0,3 %
Thickness (T)	For D ≤ 406,4 mm: T ≤ 5 mm, ± 10 % T > 5 mm, ± 0,5 mm For D > 406,4 mm: ± 10 % with maximum of ± 2mm
Out-of-roundness (O)	D ≤ 150 mm, ± 1,2 % D > 150 mm, ± 1 %
Straightness (e)	0,20 % of total length
Mass per unit length (M)	± 6 % on individual delivered lengths
Length of individual sleeve (L)	± 5 mm
*The diameter (D) shall be measured by circumference tape at the discretion of the manufacturer.	

Material properties and dimensional tolerances
Tolerances on shape and mass

Annex D
of European
Technical
Assessment
ETA 15/0029